

# TONONE

technical specifications

## ELLA

Design by Anton de Groof, 2016

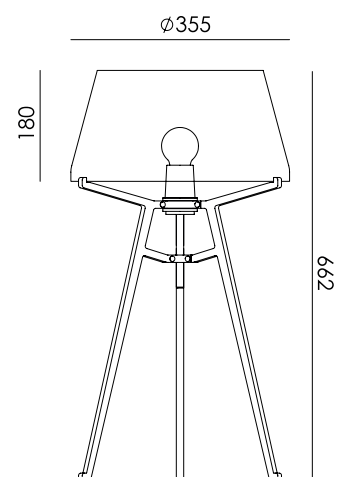


A hand-blown glass shade is supported by a sturdy steel tripod stand, underlining its strong, graphic yet elegant and light character. Both the transparent and the neutral grey shades provide a soft glow, and work harmoniously with the black or white stand colors and brass details.

Type	Desk lamp
Environment	Indoor
Material	Steel & hand-blown glass
Cord length	2800 mm
Weight	5,1 kg

Voltage	220-240 V
Max Watt	60 Watt
Socket	E27
IP	20
Lightsource	Lightsource not included

Packaging	
Weight	9,8 kg
Length	80 cm
Width	46 cm
Height	59 cm



# TONONE

technical specifications



		ella black	ella white
	transparent	1407	1409
	neutral grey	1406	1408